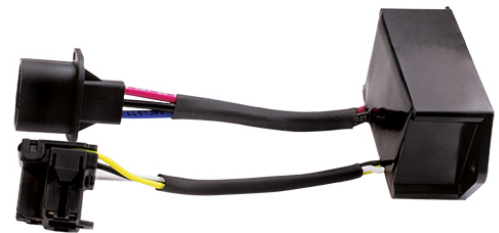


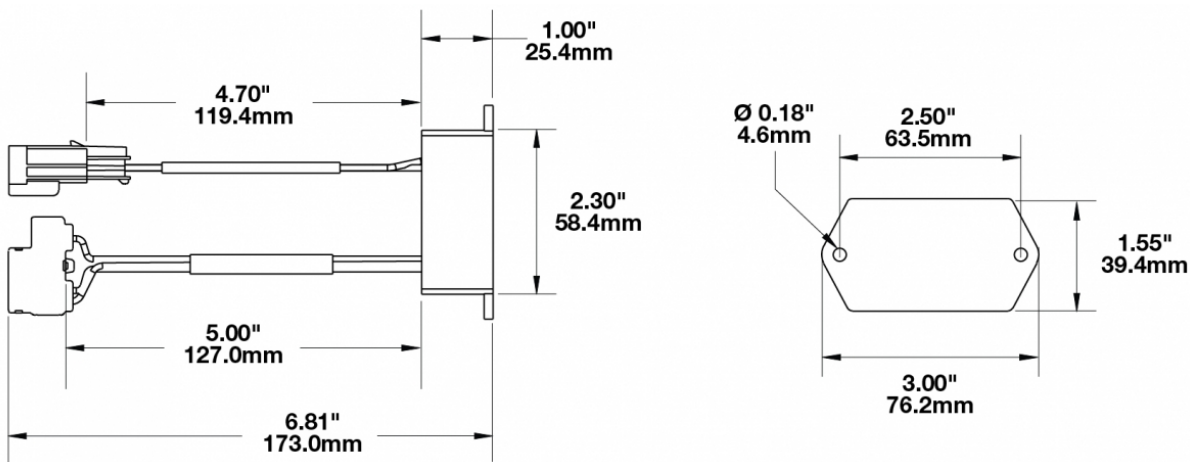
Anti-Flicker Harness H4/H13 for 8700 Evolution Series Headlights

PRODUCT INFORMATION

Description	Anti-Flicker Harness H4/H13 for 8700 Evolution Series Headlights
Product Weight	0.00 lbs / 0 kgs
Shipping Weight	0.35 lbs / 0.16 kgs



PRODUCT DIMENSIONS



Print date: 2024-08-16

© 2024 J.W. Speaker Corporation • Germantown, WI U.S.A.
www.jwspeaker.com • speaker@jwspeaker.com • 262.251.6660

J.W. SPEAKER
 Engineered. Lighting. Solutions.

Anti-Flicker Harness H4/H13 for 8700 Evolution Series Headlights

REGULATORY STANDARDS COMPLIANCE



Buy America Standards

APPLICATIONS



PRODUCT WARNINGS

For California residents:

⚠ **WARNING:** Cancer and reproductive harm - www.P65Warnings.ca.gov.

⚠ **AVERTISSEMENT:** Cancer et effet nocif sur la reproduction - www.P65Warnings.ca.gov.

Print date: 2024-08-16

© 2024 J.W. Speaker Corporation • Germantown, WI U.S.A.
www.jwspeaker.com • speaker@jwspeaker.com • 262.251.6660

Anti-Flicker Harness H4/H13 for 8700 Evolution Series Headlights

SUITS THESE PRODUCTS



**7" Round
Headlights with
Dual Burn®
Technology**

LED Headlights -
Model 8700 Evo 2 Dual
Burn

Print date: 2024-08-16

© 2024 J.W. Speaker Corporation • Germantown, WI U.S.A.
www.jwspeaker.com • speaker@jwspeaker.com • 262.251.6660